

TELESCOPIC POLE LAMPHEAD INSTALLATION AND MOUNTING BRACKET TEMPLATES

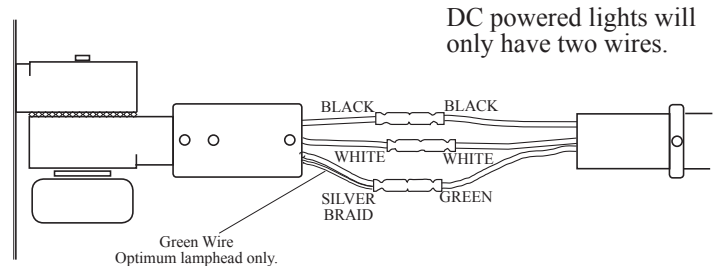
INSTALL LAMPHEAD ON TELESCOPIC POLE

Refer to the General Lighting manual or lamphead and model specific sheets for safety, maintenance, and installation instructions.

Lampheads and telescopic poles are shipped apart and need to be assembled.

Note: The 512 telescopic pole must be installed before the lamphead is attached if the small diameter hole is used. Refer to template drawing for 512 Thru-The-Roof mount.

1. Place the lamphead and the pole on a flat surface.
2. Connect the lamphead wires to the pole wires.
 - a. Ensure that 3/8 inch of bare conductor shows at the end of each wire.
 - b. Insert the wires in the butt connectors and crimp.
3. Ensure the crimps are tight. (Test by lightly tugging on the wires.)



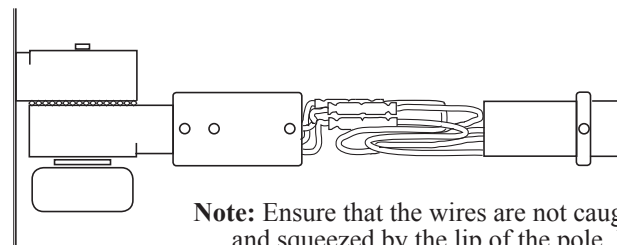
For DC Powered Lights:

Connect black to black, white to red.

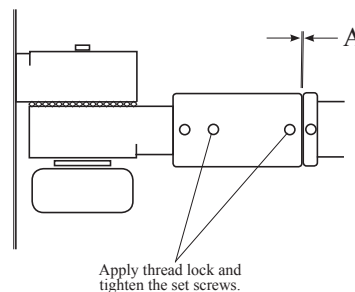
For AC Powered Lights:

Connect black to black, white to white, silver braid to green.

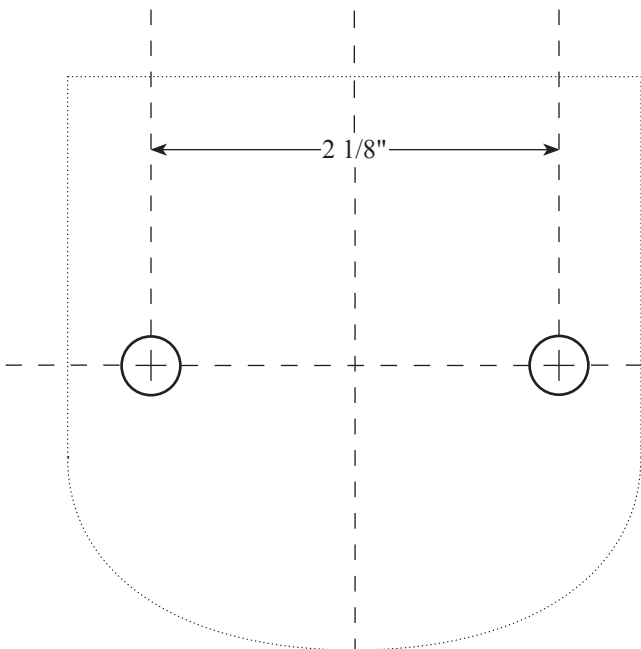
4. Loop the excess wire in a zig-zag fashion to take up the slack.
5. Slide the lamphead onto the pole tucking the wires into the pole.



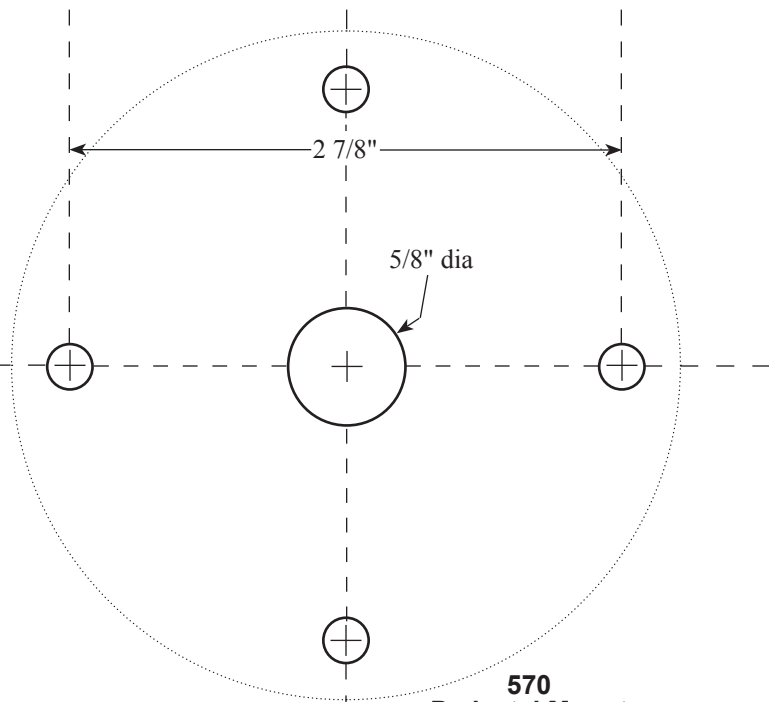
6. Apply thread lock and tighten the set screws to secure the lamphead on the pole. (A medium strength locking compound like Loctite blue is recommended.)



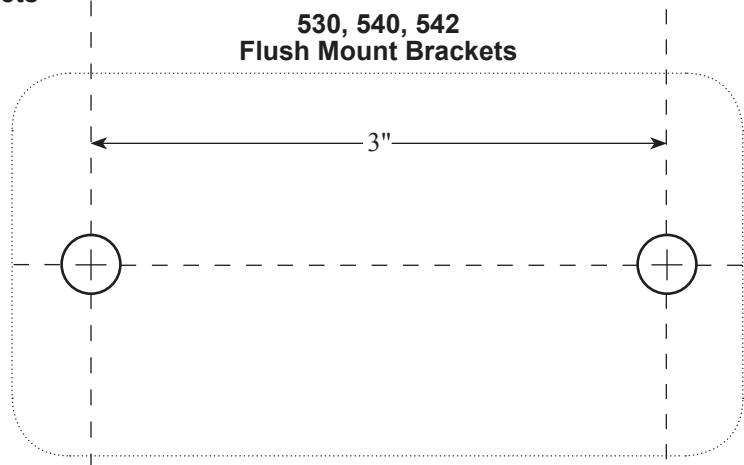
Note: Dimension A should be less than 0.015" (the thickness of a folded piece of paper). If A is larger, a wire is probably caught. Disassemble and check for wire insulation damage. If there is no damage, reassemble.



530, 540, 542, 580
Side Mount Brackets



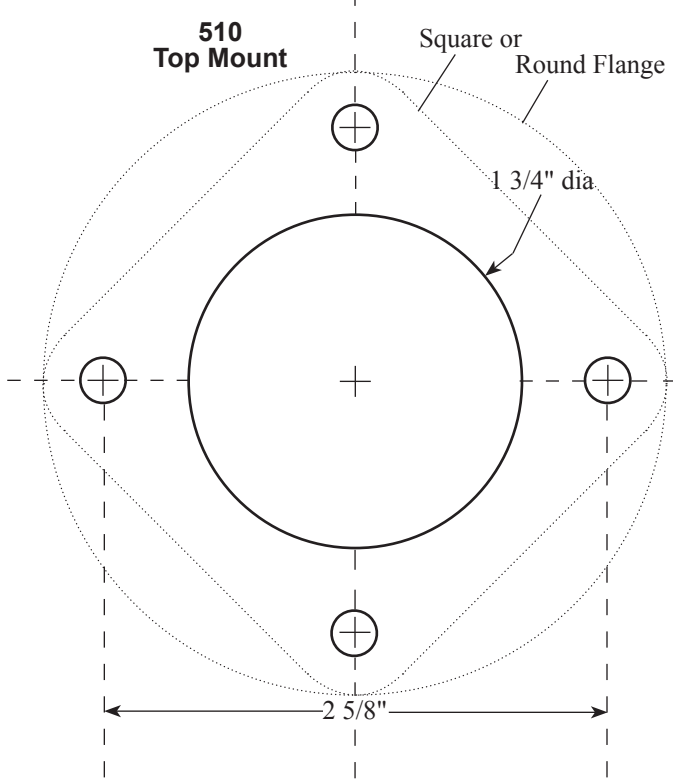
570
Pedestal Mount



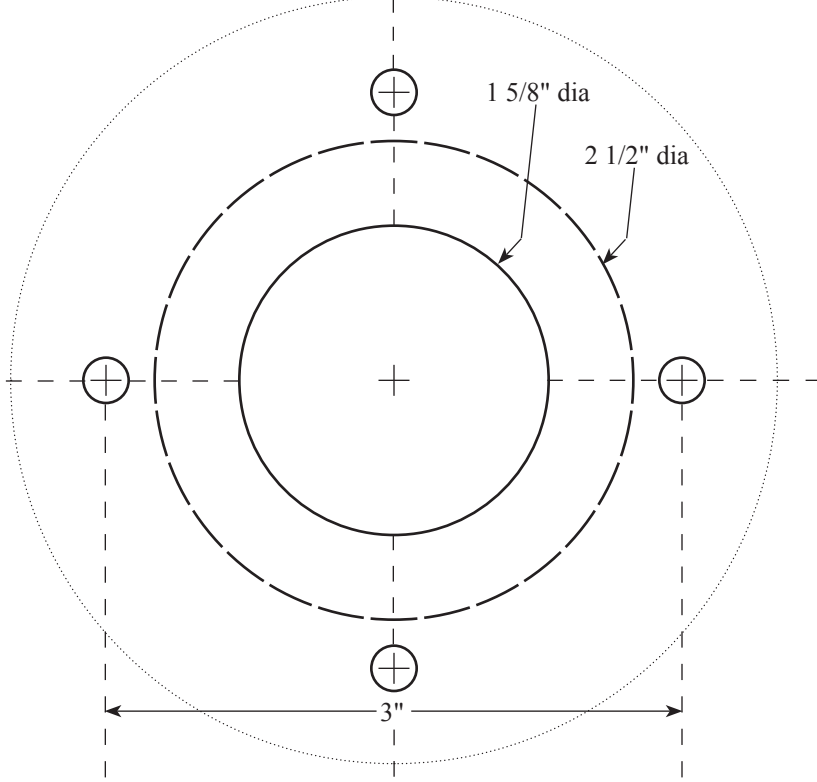
530, 540, 542
Flush Mount Brackets

Scale = Full Size
Dimensions are within casting and machine part tolerances.

Hardware Recommendations
For 510, 512, 570 mounts:
1/4-20 SS
For 530, 540, 542, 580 mounts:
5/16-18 SS



510
Top Mount



512
Thru-The-Roof Mount

Note: The 512 telescopic pole must be installed before the lamphead is attached if the small diameter hole is used.